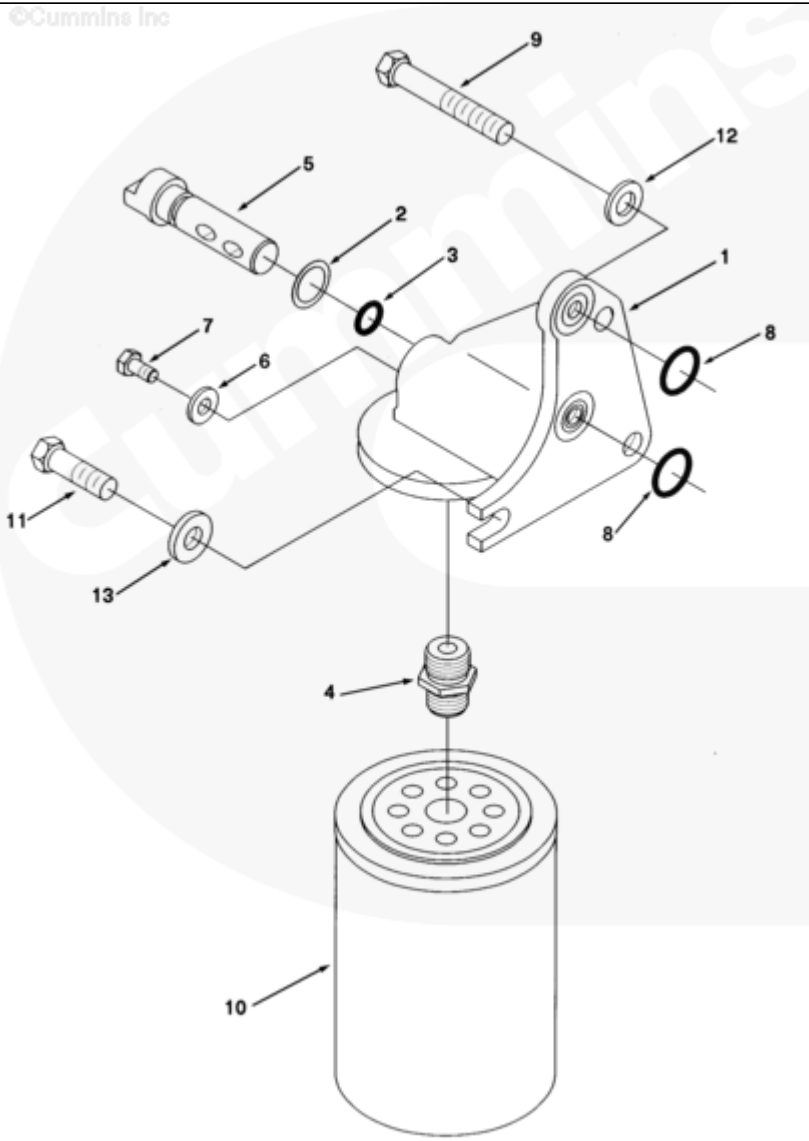




# Parts Catalog - Option Detail

| Electronic Parts Catalog - Option Detail |  |         |           |           |
|--|--|---------|-----------|-----------|
| Option                                   | Group  | Graphic | Film Card | Date      |
| WF2031-04                                | 08.08  | wf200gs | II        | 11-MAY-04 |
| <b>Engines</b>                           | ISM CM570, ISM CM570/870, ISM CM875, ISM CM876, ISM CM876 E, ISM11 CM876 M103, ISM11 CM876 SN, M11 CELECT, M11 CELECT PLUS, M11 MECHANICAL, QSM11 CM570, QSM11 CM876 |         |           |           |



wf200gs

[SMALL](#) | [MEDIUM](#) | [LARGE](#)

| Cart                         | Ref No | Part Number               | Part Description   | Required | Remarks |
|------------------------------|--------|---------------------------|--------------------|----------|---------|
| <a href="#">View My Cart</a> |        |                           |                    |          |         |
|                              |        | <a href="#">WF2031-04</a> | Corrosion Resistor |          |         |

|                          |   |                         |                         |   |                              |
|--------------------------|---|-------------------------|-------------------------|---|------------------------------|
|                          |   |                         |                         |   | Corrosion Resistor           |
|                          |   |                         |                         |   | Supplier: Cummins            |
|                          |   |                         |                         |   | Corrosion Resistor Location: |
|                          |   |                         |                         |   | Right Rear on Water Header   |
|                          |   |                         |                         |   | Plate                        |
|                          |   |                         |                         |   | Element Type: Spin-On        |
|                          |   |                         |                         |   | Element Quantity: Single     |
|                          |   |                         |                         |   | Inhibitor Type: DCA4         |
|                          |   |                         |                         |   | DCA4 Units: 15               |
|                          |   |                         |                         |   | For Use with Cooling Systems |
|                          |   |                         |                         |   | When the OEM                 |
|                          |   |                         |                         |   | DOES NOT USE WITH a Factory  |
|                          |   |                         |                         |   | Fill Coolant that Contains a |
|                          |   |                         |                         |   | Precharge Dose of SCA.       |
|                          |   |                         |                         |   | Cooling Capacity Min Value:  |
|                          |   |                         |                         |   | 18.92 L (5 Gal)              |
|                          |   |                         |                         |   | Cooling Capacity Max Value:  |
|                          |   |                         |                         |   | 37.85 L (10 Gal)             |
|                          |   |                         |                         |   | Decal Provided: Fleetguard   |
|                          |   |                         |                         |   |                              |
| <input type="checkbox"/> |   | <a href="#">3819767</a> | Corrosion Resistor Head | 1 |                              |
| <input type="checkbox"/> | 1 | <a href="#">3818935</a> | Corrosion Resistor Head | 1 |                              |
| <input type="checkbox"/> | 2 | <a href="#">3966716</a> | O-Ring Seal             | 1 |                              |
| <input type="checkbox"/> | 3 | <a href="#">205363</a>  | Spring Washer           | 1 |                              |
| <input type="checkbox"/> | 4 | <a href="#">206963</a>  | Filter Head Adapter     | 1 |                              |
| <input type="checkbox"/> | 5 | <a href="#">3818849</a> | Shut-Off Valve Shaft    | 1 |                              |
| <input type="checkbox"/> | 6 | <a href="#">3042327</a> | Plain Washer            | 1 | 1/4 in.                      |
| <input type="checkbox"/> | 7 | <a href="#">3202049</a> | Hexagon Head Cap Screw  | 1 | M6 x 1.00 x 12               |
| <input type="checkbox"/> | 8 | <a href="#">3328740</a> | Rectangular Ring Seal   | 2 |                              |

|                          |    |                         |                        |   |                             |
|--------------------------|----|-------------------------|------------------------|---|-----------------------------|
| <input type="checkbox"/> | 9  | <a href="#">3081345</a> | Hexagon Head Cap Screw | 1 | M10 x 1.50 x 65             |
| <input type="checkbox"/> | 10 | <a href="#">3100308</a> | Corrosion Resistor     | 1 | Buy from Cummins Filtration |
| <input type="checkbox"/> | 11 | <a href="#">3820988</a> | Hexagon Head Cap Screw | 2 | M10 x 1.50 x 35             |
| <input type="checkbox"/> | 12 | <a href="#">3009330</a> | Plain Washer           | 1 | M10.                        |
| <input type="checkbox"/> | 13 | <a href="#">108330</a>  | Plain Washer           | 2 | 3/8 in.                     |
| <input type="checkbox"/> |    | <a href="#">3826824</a> | Decal                  | 1 |                             |

© 2019 Cummins Inc., Box 3005, Columbus, IN 47202-3005 U.S.A.  
Terms of Use and Disclaimers | Recommended System Requirements  
Need Assistance? Please click on the Contact Us button in the top right corner of any page.